

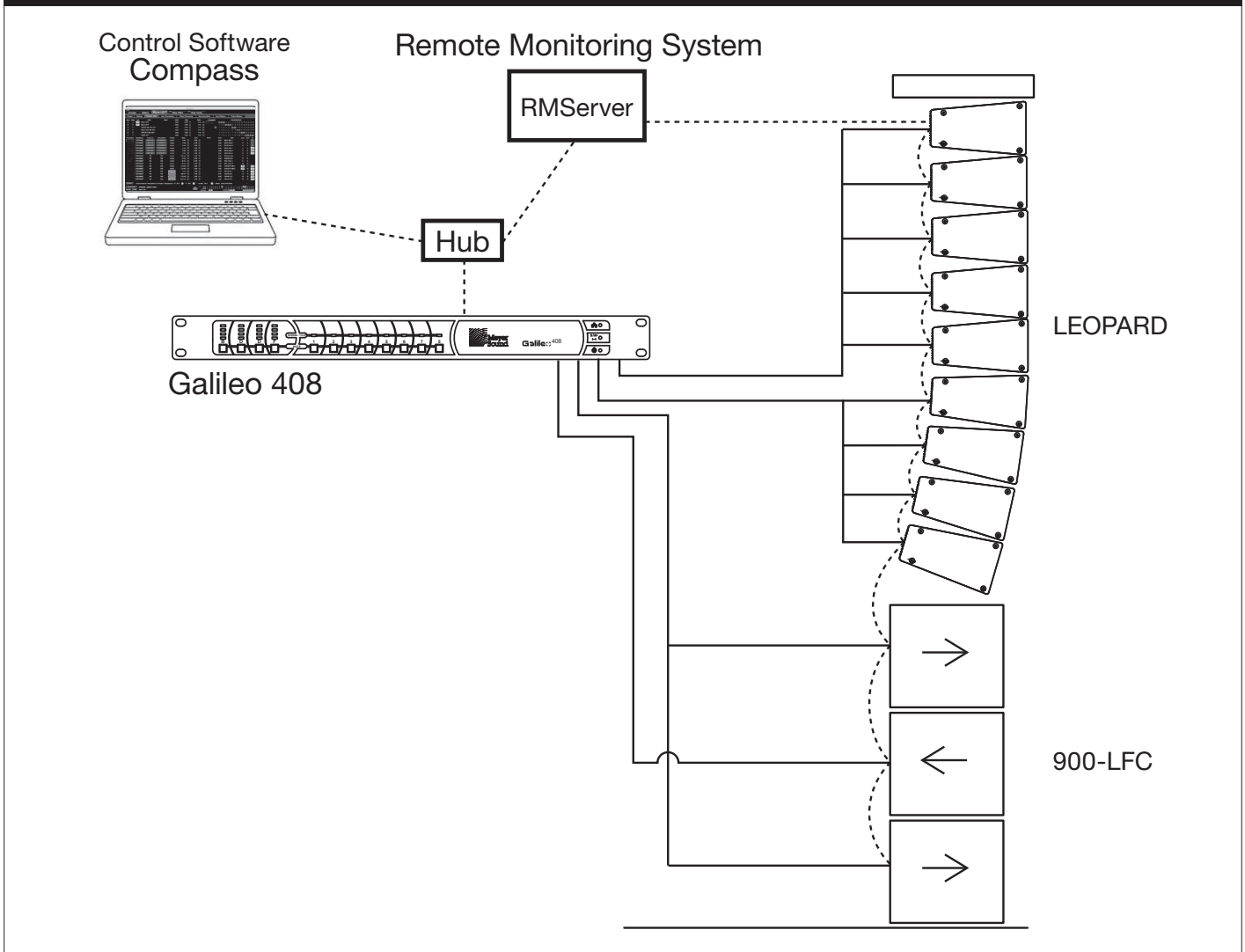


Product

LEOPARD / 900-LFC

The LEOPARD self powered array speakers provide high flexibility due to their lightweight and small size, linear response, precise directivity control functions, excellent phase coherence and a consistent cover area while having extremely low distortion, surprising power and superior clarity just like their bigger siblings LEO and LYON. The 900-LFC self powered subwoofer produces the same low-end control and high power as the top 1100-LFC in a compact package.

System Diagram



| | Product Name | Manufacturer | Model No. | Standard Price |
|-----------|--------------|--------------|----------------------|----------------|
| Speaker | LEOPARD | Meyer Sound | Same as product name | ¥2,500,000 |
| Subwoofer | 900-LFC | Meyer Sound | Same as product name | ¥2,500,000 |
| Amp | (Built-in) | | | |
| Processor | (Built-in) | | | |

| | | | |
|-----------|------------|---------|---|
| Exhibitor | ATL | Contact | www.atl.co.jp 03-5388-5788 |
|-----------|------------|---------|---|